

HEINE QUALITY
MADE IN GERMANY



∴ HEINE OMEGA 500® / HEINE OMEGA 500® UNPLUGGED
The evolution of the Binocular Indirect Ophthalmoscope.

NEW: 100% MOBILITY with HEINE mPack® UNPLUGGED





∴ HEINE OMEGA 500®

Welcome to a new dimension in Comfort,
Performance and Flexibility.

COMFORT.

Increasing user comfort was a key design criteria for the OMEGA 500. The first time you put on the OMEGA 500 you will immediately notice the refined comfort of the completely re-designed headband and the reduced (30% lighter) weight of the OMEGA 500 Optics.

CRISPEST, CLEAREST FUNDUS VIEWS.

A completely re-designed illumination system, that is 2x brighter provides crisp, high resolution images of the fundus in both large and small pupils down to a 1 mm diameter.

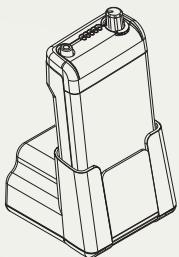
THE "FREEDOM" OF FLEXIBILITY.

Place the EN 50 Modular Power Supply (patent pending) on a desk, or mount it on the wall. Free yourself from mains power cables with the new mPack, which can be charged in the EN 50 base, or with a portable transformer. For even better fingertip control, the HC 50 Rheostat can be mounted on the left or right side of the headband, and is compatible with the EN 50, mPack and its own transformer.

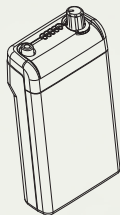
NEW: mPack UNPLUGGED – Headband-Battery: 100% freedom of movement – no cable connections!

The OMEGA 500 ophthalmoscope with mPack UNPLUGGED rechargeable battery allows one-of-a-kind mobility without restriction or hindrance caused by cables, cords, or similar connections. In addition, the OMEGA 500 with mPack UNPLUGGED is the lightest indirect ophthalmoscope of its kind on the market!

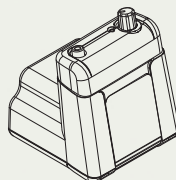
HEINE QUALITY
MADE IN GERMANY



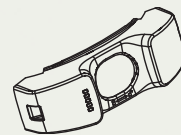
[EN 50-m]



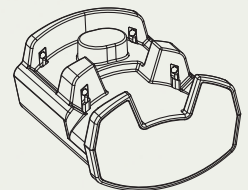
[mPack]



[EN 50]



[mPack UNPLUGGED]

[EN 50 UNPLUGGED
wall transformer]

OMEGA HEADBAND COMFORT

- ∴ **Articulating Hinge** provides vertical adjustment of the rear band of the headband for individual placement. Secure and perfect fit for all shapes and sizes.
- ∴ **New softer, more malleable material.** Provides even and comfortable fit of the headband.
- ∴ **Increased Cushion Area.** 40 % more cushion area than on OMEGA 180.
- ∴ **New Ergonomic design** for optimal weight transfer across the surface of the entire headband (no pressure points).
- ∴ **Calibrated Overband Position** ensures optics are in true horizontal position for precise adjustment and alignment.

SUPER LIGHT WEIGHT

- ∴ **30 % lighter** than the OMEGA 180.
- SMALLER SIZE**
- ∴ **Reduced Volume.** 20 % less volume than OMEGA 180.

OMEGA 500 OPTICS – CLEARER, CRISPER VIEWS

- ∴ Built on the market **leading optical performance** of the OMEGA 180, the OMEGA 500 has been optimized for even better views of the fundus. A new multi-coated illumination system, featuring a new XHL Xenon Halogen Technology bulb, reduces corneal reflexes and ensures clear, high-resolution images of the fundus which are up to 100 % brighter.
- ∴ **Enhanced Small Pupil Function** – the Patented “Synchronized Adjustment (US. Patent # 4.684.227) of Convergence and Parallax System”, which allows for the precise selection of observation and illumination optics for any pupil size, has been optimized for even better functionality in small pupils down to 1.0 mm.

[ORDER INFORMATION]

OMEGA 500

OMEGA 500 with XHL Xenon Halogen bulb (5W) on Headband (not including HC50 Headband Rheostat)	C-04.33.500
---	--------------------

OMEGA 500 Kits

Recommended Product Order Configurations to ensure the most flexibility the OMEGA 500/EN 50 System has to offer. The following kits include main system elements but no carrying cases or ancillary accessories.

Kit 1	OMEGA 500, HC 50 Headband Rheostat mounted on Headband, complete with Transformer	C-04.33.531
Kit 2	OMEGA 500, HC 50 Headband Rheostat mounted on Headband, with EN 50 complete (incl. EN 50 Rheostat Control Module, Extension Cord Cinch 2 m, 90° Angled Adapter, Instrument Support)	C-04.33.532
Kit 3	OMEGA 500, HC 50 Headband Rheostat mounted on Headband, with mPack and Transformer (incl. 90° Angled Adapter)	C-04.33.533
Kit 4	OMEGA 500, HC 50 Headband Rheostat mounted on Headband, with EN 50-m (incl. mPack, Extension Cord Cinch 2 m, 90° Angled Adapter, Instrument Support)	C-04.33.534

OMEGA 500 UNPLUGGED Kits

Consists of OMEGA 500, HC 50 Headband Control, XHL Xenon Halogen bulb 5W

Kit 5:	with plug-in transformer UNPLUGGED, 1x mPack UNPLUGGED	C-04.33.535
Kit 6:	with wall transformer EN 50 UNPLUGGED, 2x mPack UNPLUGGED	C-04.33.536

OMEGA 500 Sets

Set complete with OMEGA 500 Head worn Indirect Ophthalmoscope, 1 Scleral depressor large, 1 Scleral depressor small, A.R. 20D Ophthalmoscopy-Lens, Pad with 50 fundus charts, Teaching mirror, 1 spare bulb, in hard case with:

Set 1:	HC 50 Headband Control with plug-in transformer	C-275.40.320
Set 2:	EN 50 with Rheostat Control Module, HC 50 Headband Control (incl. 90° Angled Adapter, Extension Cord Cinch 2 m, Instrument Support)	C-275.40.300
Set 3:	EN 50-m with mPack, HC 50 Headband Control (incl. 90° Angled Adapter, Extension Cord Cinch 2 m, Instrument Support)	C-275.40.302
Set 4:	mPack with plug-in transformer, HC 50 Headband Control (incl. 90° Angled Adapter)	C-275.40.670

OMEGA 500 UNPLUGGED Set

As above Set C-275 OMEGA 500,

Set 5:	but with mPack UNPLUGGED and plug-in transformer UNPLUGGED	C-282.40.670
---------------	--	---------------------

PATENTED “SYNCHRONIZED ADJUSTMENT OF CONVERGENCE AND PARALLAX”
(US. Patent # 4.84.227) for high quality, stereoscopic fundus images through any pupil size.



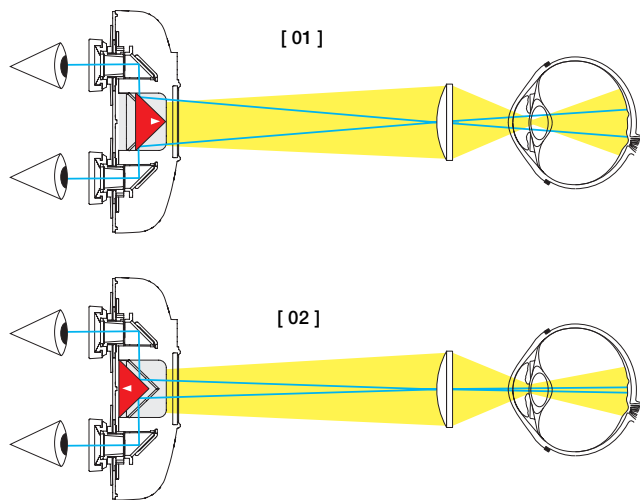
[01]
Dilated pupil.
Optical System positioned for maximum stereopsis and illumination.



In the undilated pupil, fixed optics can not provide a stereoscopic image. The illumination path can not be positioned to enter the pupil simultaneously with the observation paths. Left and right observation paths can not be positioned to enter the pupil simultaneously.



[02]
The angle of convergence between left and right observation paths is reduced and the angle of parallax (light path) is automatically reduced in one, simple step. The observer can now enjoy a fully illuminated, binocular view with excellent stereopsis even through a pupil as small as 1 mm.



Power sources

EN50-m Wall/Table unit with mPack, (incl. 90° Angled Adapter, 2 m Connecting cord, Instrument support)	X-95.17.302
EN50 Wall/Table unit with Rheostat Control Module (incl. 90° Angled Adapter, 2 m Connecting cord, Instrument support)	X-95.17.301
mPack with Li-ion rechargeable battery and transformer	X-07.99.672
mPack with Li-ion rechargeable battery, without transformer	X-07.99.671
HC50 Headband Rheostat with transformer, Connecting cord	X-95.16.324
mPack UNPLUGGED	X-07.99.665
Wall transformer EN50 UNPLUGGED (without mPack UNPLUGGED)	X-95.17.310
Transformer UNPLUGGED for mPack UNPLUGGED	X-95.16.316
Rheostat Control Module for EN50	X-95.17.305
EN50 base unit (without Rheostat Control Module)	X-95.17.300

Accessories

HC 50 Headband Rheostat (without transformer)	X-95.16.323
Transformer for mPack (110-240V)	X-95.16.315
XHL Xenon Halogen Spare bulb 6V, 5W, standard	X-04.88.111
XHL Xenon Halogen Spare bulb 6V, 10W	X-04.88.104
Extension Cord Cinch, 2 m	C-00.33.510
Connecting Cord OMEGA500 to EN50/mPack/transformer HC50, 1,6 m	X-00.99.667
Extension Cord transformer UNPLUGGED, 2 m	X-00.99.668
Plug-in 90° Angle Adapter (for EN50/mPack)	C-00.33.509
Instrument support for EN50	C-00.33.511
Teaching mirror	C-00.33.209
A.R. 20 D Ophthalmoscopy - Lens (other lenses available)	C-00.17.228
Scleral depressor, large	C-00.17.300
Scleral depressor, small	C-00.17.301
Combi Case	C-79.03.000



∴ HEINE OMEGA 500®
Form and Function.

FULL FEATURED

- ∴ **3 Integrated Spot Sizes** to choose from – small spot, medium and large.
- ∴ **Integrated Diffuser:** reduces glare and reflexes and simplifies the exam with a limited loss of light (only 30%).
- ∴ **3 Integrated Filters** to choose from: Red-free, Cobalt Blue and Yellow filters.
- ∴ **Separate Vertical Adjustment** of Illumination Beam of $\pm 4^\circ$.

DURABLE

- ∴ **Aluminum chassis** for mounting of optics ensures durability.
- ∴ **Dustproof.** Virtually maintenance free.

INTUITIVE

- ∴ **Arrangement and positioning of all adjustment** controls ensure intuitive functionality, for easy operation and adjustment even when working “blind”.

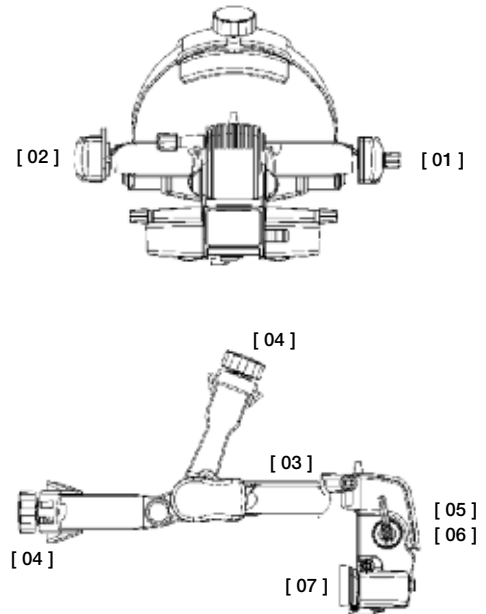
INNOVATIVE

OMEGA Headband

- [01]
- ∴ The **HC 50 Headband Rheostat** can be easily mounted on the left or right sides of the headband.
- [02]
- ∴ **Integrated flip-up adjustment** to raise optics out of the line of sight can be mounted on the left or right side of the headband. Optics can be flipped and locked at 0° , 12.5° , 47.5° , 60° degrees.
- [03]
- ∴ **Integrated Cables** in overband eliminates the usual “cable loop” from instrument to headband.
- [04]
- ∴ **Mechanically reinforced adjustment mechanisms** for durability and precise adjustment of headband.

OMEGA 500

- [05]
- ∴ **Aperture and Filter Adjustment Levers** can be “locked” into a desired position.
- [06]
- ∴ **Locking Aperture and Filter Adjustments** also feature a “Friction-Clutch” (“Safety-Clutch”) to protect mechanisms from forced adjustment while in the “lock” position.
- [07]
- ∴ New **increased PD Range** from 46 – 74 mm.
- ∴ **Soft Touch Controls** – all key adjustment controls feature soft touch surfaces for precise and positive adjustment control.





∴ **HEINE OMEGA 500® / HEINE OMEGA 500® UNPLUGGED**
Flexibility and Freedom.

[HEINE EN 50®, HC50®, mPACK®, mPACK® UNPLUGGED, EN50® UNPLUGGED]

The EN 50 Modular Power Supply System (patent pending) offers unsurpassed flexibility and innovative new features. It powers the new OMEGA 500, and automatically adjusts output to power all existing HEINE 6 V and LED (Examination Lights) products (patent pending). The EN 50, mPack and HC 50 Headband Mounted Rheostat can be combined in every conceivable configuration.

HEINE mPack® UNPLUGGED. 100% freedom of movement – no cable connections! The OMEGA 500 ophthalmoscope with mPack UNPLUGGED rechargeable battery allows one-of-a-kind mobility without restriction or hindrance caused by cables, cords, or similar connections. In addition, the OMEGA 500 with mPack UNPLUGGED is the lightest indirect ophthalmoscope of its kind on the market!

EN 50 ^[01]

- ⌘ **Modular**, compact design functions as the base for Tabletop or Wall Mounted use and as charging base for the new mPack Mobile Charging System (patent pending).
- ⌘ **Integrated on/off** switch in headband holder.
- ⌘ **Flexible Illumination Control** – can be used in conjunction with HC 50 Headband Mounted Rheostat.
- ⌘ **Upgradeable** – switches to mPack charging base with simple removal of the control module.
- ⌘ **Automatic remote power adjustment** for compatibility with all HEINE 6V and selected LED instruments (patent pending).
- ⌘ **Soft Start Technology.** A gradual introduction of current reduces bulb “shock” and extends bulb life.
- ⌘ **110-240 V Compatible Transformer** incl. 4 plugs for worldwide compatibility.

HC 50 ^[04]

- ⌘ **For Fingertip Control** – Headband Mounted Rheostat puts illumination control at your fingertips.
- ⌘ **Left and right sided Mounting Options** – can be mounted on the right or left side of the OMEGA Headband.
- ⌘ **Can be combined with EN 50 and mPack.**
- ⌘ **110-240 V Compatible Transformer** incl. 4 plugs for worldwide compatibility.

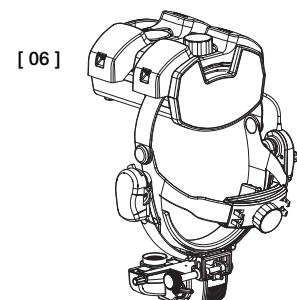
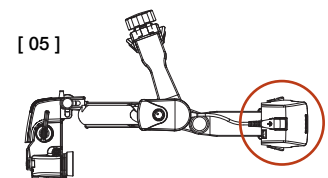
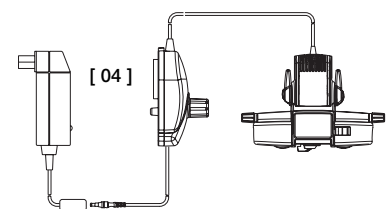
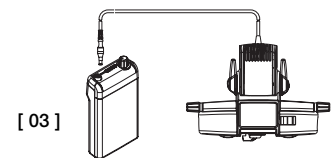
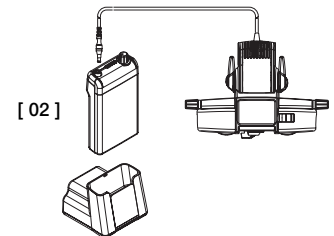
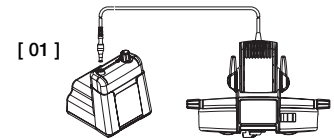
mPACK ^[02] ^[03]

- ⌘ **Triple the Capacity with Li-ion Technology** – up to 3 times the operating time on a full charge compared to current NiCd systems. More than double of other Li-ion systems. No memory effect.

- ⌘ **Fast Charge** – charges to full capacity in just 2 hours.
- ⌘ **Battery Capacity Indicator** – always lets you know how much operating charge you have left.
- ⌘ **Flexible Charging Options** – Charge in the EN 50 base station, or with mobile transformer.
- ⌘ **Intelligent** – automatically switches to „charge“ mode when inserted in EN 50. Can also be used as a mains power supply even while in “charge” mode.
- ⌘ **Automatic remote power adjustment** for compatibility with all HEINE 6 V and selected LED instruments (patent pending).
- ⌘ **110-240 V Compatible Transformer** incl. 4 plugs for worldwide compatibility.

mPACK UNPLUGGED ^[05] / EN50 UNPLUGGED ^[06]

- ⌘ **Rechargeable battery integrated into the headband.** No interfering cable connections.
- ⌘ **Lightweight with balanced weight distribution.** High level of comfort. Lightweight and compact.
- ⌘ **LED charge status indicator.** LED indication of remaining operating time.
- ⌘ **Can be charged by wall- or plug-in transformer.**
- ⌘ **Direct operation possible while charging** through the use of the mobile plug-in transformer.
- ⌘ **Charging time.** 2 hours.
- ⌘ **mPack UNPLUGGED rechargeable battery.** Operating time 2 hours (with standard lamp 6 V, 5 W).
- ⌘ **Intelligent charging system.** Automatic changeover from operating to charging mode (in the wall unit). Battery-friendly charging.
- ⌘ **Top safety standards.** Integrated charge and performance checks during operation. Lithium polymer technology (selected non-flammable materials). UL-compliant.



For ordering information please turn to page 005 (Fold-out)

A company makes history and gives a name to outstanding product quality: HEINE. Founded in 1946, family owned, rich in tradition and today international market leader in a complete range of diagnostic instruments. HEINE products meet all international standards (ISO/CE) and represent the leading edge in precision and ergonomic design. Ongoing dedication to research and development has created a solid and diverse technology base for continued quality and product leadership. Over 500 employees worldwide contribute to this success.

HEINE QUALITY
MADE IN GERMANY

