

HEINE QUALITY
MADE IN GERMANY

∴ **HEINE DELTA 20®** Illuminated loupe 10x /
HEINE SLR® Photoadaptor



Using an instrument of the highest quality is the best way to ensure the most accurate diagnosis. Every DELTA 20 Illuminated Loupe Set incorporates lessons learned from our years of experience as Market Leader. All of these instruments represent state-of-the-art technology in optics, design, ergonomics and functionality.

With high-resolution precision optics and an exclusive illumination system (patent pending), the DELTA 20 Illuminated Loupe is the ultimate tool in the examination of surfaces and provides a significant diagnostic contribution in the examination and documentation of surfaces of all kinds.

The unique achromatic lens system reveals tiny variations in surface coatings at 10x magnification as a highly-detailed, undistorted image. High-resolution digital photography is easy and affordable.

A further unique feature of the DELTA 20 Illuminated Loupe is the ability to select full illumination for a clear view of the whole area under examination with 6-LEDs or, alternatively, lateral illumination using 3-LEDs to give improved contrast to enable identification of fine changes in deeper structures. Also unique is the modular construction which allows the use of a convenient adaptor cord between the handle and the instrument head, making digital photography even easier and more convenient.

High-resolution precision optics with achromatic lens system

- ❖ 10 x magnification to reveal the finest details.
- ❖ Brilliant, distortion-free image of the whole area under examination.
- ❖ Unusually large field of view 23 mm dia.

LED illumination close to daylight

- ❖ Exceptionally-bright.
- ❖ A circle of full 6-LED illumination is arranged around the field of inspection.
- ❖ Alternative of 3-LED-illumination for improved contrast.
- ❖ The LEDs have a virtually-unlimited working life.
- ❖ Greatly increased battery life.

Contact Plates

- ❖ Large 23 mm dia. contact plate with or without scale for large field of view.
- ❖ Digital photography possible.
- ❖ Easy to change plates, firm fit to the instrument.

Eyepiece

- ❖ Can be focused exactly.
- ❖ Range of correction from -6 to +6 dpt.
- ❖ Large, easy-to-adjust soft eyepiece for precise focusing.
- ❖ Smooth, soft eyepiece avoids damage to spectacles.

HEINE BETA® Handle

- ❖ Environmentally-friendly 3.5V rechargeable or standard battery handle.
- ❖ Ergonomic and comfortable.
- ❖ Light weight.

Useful Tip

- ❖ The BETA modular construction provides for the use of an adaptor cord (T-00.99.230) between handle and instrument for digital photography, keeping the camera and instrument head compact and easy to manipulate.

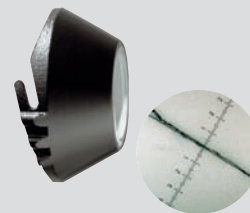


HEINE DELTA 20®
Illuminated Loupe
T-08.34.207

▶ NEW !

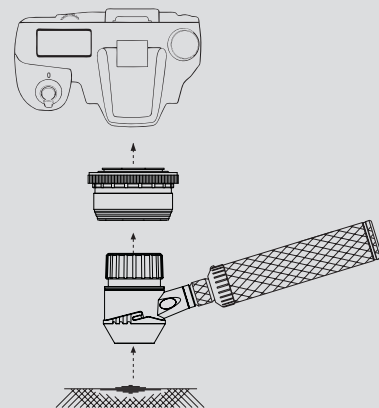


SLR Photoadaptor
(bayonet connection) for
Digital-SLR-Camera
(Canon T-00.34.185)
(Nikon T-00.34.186)
(Olympus T-00.34.187)



Contact plate, 23mm dia.
without scale
T-00.34.203

Contact plate, 23mm dia.
with scale
T-00.34.206



For further details please see the Master Catalogue or visit www.heinetech.com

HEINE

HEINE Optotechnik GmbH & Co. KG · Kientalstr. 7 · 82211 Herrsching · Germany
Tel. +49 (0) 8152/38-0 · Fax +49 (0) 8152/38-202 · E-Mail: info@heinetech.com · www.heinetech.com

