

**MICROOptix**



**MX 800**

RESEARCH BIOLOGICAL MICROSCOPES



## MX 800 / MX 800 (L) | Research biological microscopes

- Binocular/trinocular head Siedentopf type, 360° rotatable, 30° inclined
- Revolving nosepiece for 5 objectives
- Coaxial coarse and calibrated fine focus control
- 4 objectives Plan Achromat ICO Infnitive: 4x/0.10, 10x/0.25, 40x/0.65, 100x/1.25 (oil)
- Wide field eyepieces 10x/20 mm
- Halogen illumination, LED illumination
- Abbe condenser nA 0.9 / 0.25
- Stage 185x142 mm with specimen holder for 2 slides



## MX 800 (TS) | Research biological microscope

- Ergonomic trinocular head adjustable inclination 5–35°
- Photo/video block with beam splitter 80/20 for mounting of digital camera or video camera
- Revolving nosepiece for 6 objectives
- Coaxial coarse and calibrated fine focus control
- 5 objectives Plan Achromat ICO Infnitive: 4x/0.10, 10x/0.25, 20x/0.40, 40x/0.65, 100x/1.25 (oil)
- Wide field eyepieces 10x/22 mm
- Halogen illuminator 24 V, 100 W
- Abbe condenser nA 0.9 / 0.25
- Stage 243x158 mm with specimen holder for 2 slides

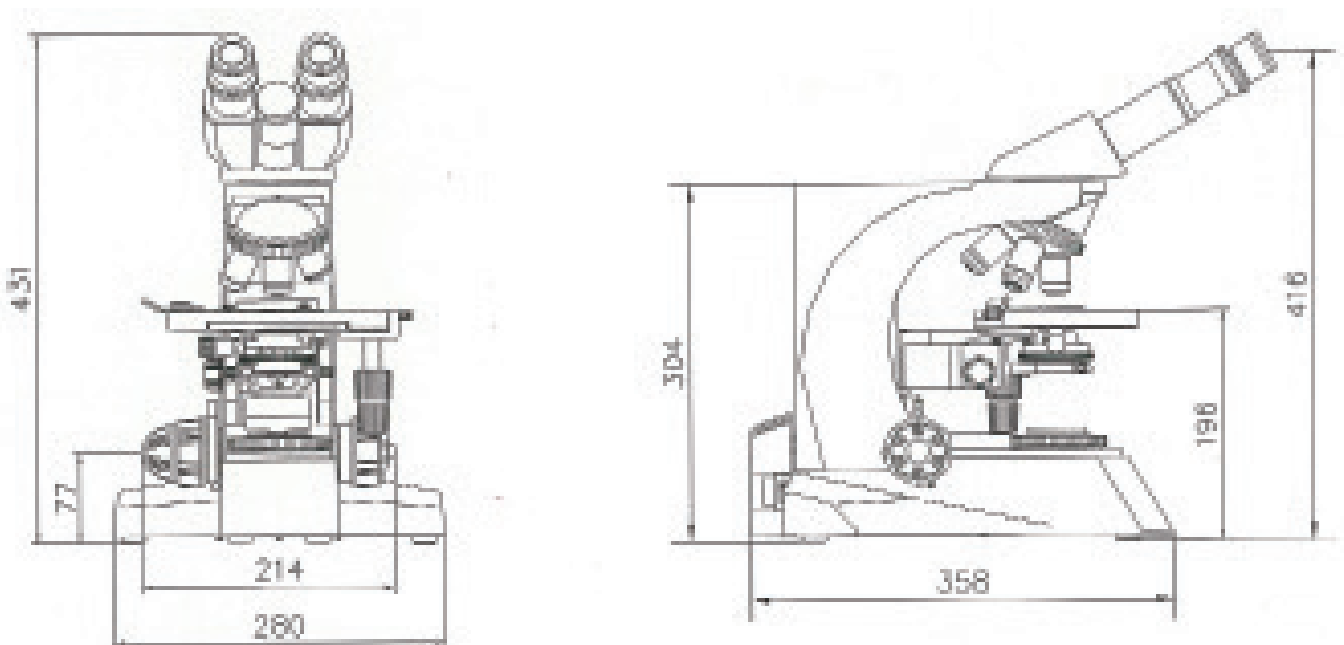


### Ordering information

Description	Code
Binocular biological microscope MX 800	09.0800.02
Trinocular biological microscope MX 800 (T)	09.0800.03
Binocular biological microscope MX 800 (L)	09.0801.02
Trinocular biological microscope MX 800 (TL)	09.0801.03
Trinocular biological microscope MX 800 (TS)	09.0802.03

## Specification

		MX 800	MX 800 (L)	MX 800 (T)	MX 800 (TL)	MX 800 (TS)
<b>Viewing head</b>	binocular head, 360° rotatable, 30° inclined, distance 48–75 mm	•	•			
	trinocular head, 360° rotatable, 30° inclined, distance 48–75 mm			•	•	
	ergonomic trinocular tube adjustable inclination 5–35°, distance 48–75 mm					•
<b>Eyepiece</b>	EW 10x/20 mm, widefield	•	•	•	•	
	EW 10x/22 mm, widefield					•
<b>Nosepiece</b>	quintuple reverse-angle	•	•	•	•	
	sextuple reverse-angle					•
<b>Objectives</b>	Plan Achromat: 4x/0.10, 10x/0.25, 40x/0.65 (spring loaded), 100x/1.25 (spring loaded, oil)	•	•	•	•	•
	Plan Achromat: 20x/0.40 (spring loaded)					•
<b>Stage</b>	double layer mechanical specimen stage 185x142 mm with specimen holder for 2 slides	•	•	•	•	
	double layer mechanical specimen stage 243x158 mm with specimen holder for 2 slides					•
<b>Abbe condenser</b>	height adjustable, nA 0.9 / 0.25, with integrated iris diaphragm and filter tray	•	•	•	•	•
<b>Light source</b>	halogen bulb, 6 V, 30 W	•		•		
	LED, 5 W		•		•	
	halogen bulb, 24 V, 100 W					•





Digital camera



C-Mount adapter



Fluorescence attachment (luminescence)



LED fluorescence attachment



Mechanical stage 243 x 158 mm



Mechanical stage 230 x 150 mm



6 V, 30 W



LED, 5 W



24 V, 100 W



Analyzer



Polarier



Dark filed condensers



Filters



Turret phase-contrast kit

## Ordering information

Viewing heads	Code
Compensation binocular head	09.0001.22
Compensation trinocular head	09.0001.23
Compensation trinocular head for fluorescence	09.0001.24
Ergonomic compensation binocular head	09.0001.25
Photo/video block with beam splitter 80/20 for mounting of digital camera	09.0001.26
<b>Eyepieces</b>	
EW 10x/20, wide field	09.0002.81
EW 10x/22, wide field	09.0002.82
EW 15x/16, wide field	09.0002.83
EW 20x/12, wide field	09.0002.84
<b>Objectives (ICO Infinite)</b>	
Plan Achromat 4x/0.10	09.0003.81
Plan Achromat 10x/0.25	09.0003.82
Plan Achromat 20x/0.40, spring-loaded	09.0003.83
Plan Achromat 40x/0.65, spring-loaded	09.0003.84
Plan Achromat 60x/0.80, spring-loaded	09.0003.85
Plan Achromat 100x/1.25, spring-loaded, for oil immersion	09.0003.86
<b>Objectives for fluorescence (ICO Infinite)</b>	
Plan Infinite for Fluorescence 4x/0.10	09.0003.91
Plan Infinite for Fluorescence 10x/0.25	09.0003.92
Plan Infinite for Fluorescence 20x/0.40, spring-loaded	09.0003.93
Plan Infinite for Fluorescence 40x/0.65, spring-loaded	09.0003.94
Plan Infinite for Fluorescence 100x/1.25, spring-loaded, for oil immersion	09.0003.95
<b>Objectives for dark field (ICO Infinite)</b>	
Plan Achromat 100x/1.25, spring-loaded, for oil immersion	09.0003.96
<b>Object-micrometer</b>	
Object-micrometer 0.01 mm	09.0007.01
<b>Condensers</b>	
Abbe bright field condenser, nA 0.9 / 0.25 with swing-out lens, built-in iris diaphragm and filter frame	09.0007.81
Dry dark filed condenser, nA 0.9	09.0007.82
Oil dark filed condenser, nA 0.9	09.0007.83
<b>Polarizing set</b>	
Polarization set. Includes polarizer and analyzer	09.0008.01
<b>Phase-contrast kit ICO Infinite</b>	
Turret phase-contrast kit	09.0008.02
<b>Fluorescence (luminescence)</b>	
Fluorescence 6-position set. Includes filter set Blue and filter set Green	09.0008.83
Additional filter set Blue one BP460~495/DM505/BA510-550	09.0008.84
Additional filter set Ultraviolet BP330~385/DM400/BA420	09.0008.85
Additional filter set Violet BP400~410/DM455/BA455	09.0008.86
HBO 100 W burner	09.0005.85
Neutral filter ND25/ND6	09.0004.85
<b>LED fluorescence (luminescence)</b>	
Fluorescence set with LED illumination (Blue)	09.0008.87
Fluorescence set with LED illumination (Green)	09.0008.88
<b>Mechanical stages</b>	
Mechanical stages 185x142 mm with specimen holder for 2 slides	09.0007.84
Mechanical stages 243x158 mm with specimen holder for 2 slides	09.0007.85
<b>Filters</b>	
Blue filter	09.0004.81
Green filter	09.0004.82
<b>LED and bulbs</b>	
LED element 5 W with board	09.0005.81
Halogen bulb 6 V, 30 W	09.0005.82
Halogen bulb 24 V, 100 W	09.0005.83
<b>C-mount adapters</b>	
Video adapter 0.5x	09.0006.05
Video adapter 1x	09.0006.06



## MX 800 | Multi-user microscopes

- Allow people to observe specimen at the same time
- For clinical labs, research and life-science labs and teaching demonstration



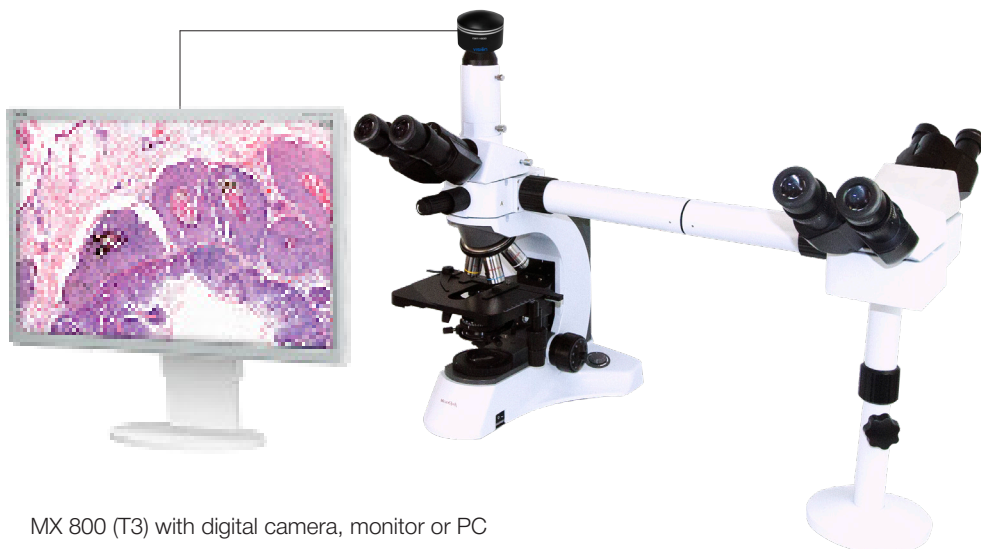
MX 800 (T2)



MX 800 (T3)



MX 800 (T5)



MX 800 (T3) with digital camera, monitor or PC

Specification		MX 800 / 2	MX 800 / 3	MX 800 / 5
<b>Viewing head</b>	binocular head, 360° rotatable, 30° inclined, distance 48–75 mm	1 pc.	2 pcs.	4 pcs.
	trinocular head, 360° rotatable, 30° inclined, distance 48–75 mm	1 pc.	1 pc.	1 pc.
<b>Eyepiece</b>	EW 10x/20 mm, widefield	4 pcs.	6 pcs.	10 pcs.
<b>Nosepiece</b>	quintuple reverse-angle	•	•	•
<b>Objectives</b>	Plan Achromat: 4x/0.10, 10x/0.25, 40x/0.65 (spring loaded), 100x/1.25 (spring loaded, oil)	•	•	•
<b>Stage</b>	double layer mechanical specimen stage 185 x 142 mm with specimen holder for 2 slides	•	•	•
<b>Abbe condenser</b>	height adjustable, nA 0.9 / 0.25, with integrated iris diaphragm and filter tray	•	•	•
<b>Light source</b>	halogen bulb, 24 V, 100 W	•	•	•
	LED, 5 W	○	○	○
<b>LED pointer</b>	green	•	•	•
	two color	○	○	○
<b>C-Mount adapter</b>	0.5x video adapter	○	○	○
	1x video adapter	○	○	○

• — standard set, ○ — optional

Ordering information	
Description	Code
MX 800 (T2) multi-user trinocular microscope. Version for 2 viewers	80.0800.23
MX 800 (T3) multi-user trinocular microscope. Version for 3 viewers	80.0800.33
MX 800 (T5) multi-user trinocular microscope. Version for 5 viewers	80.0800.53



Brown-Boveri-Strae 6, B17-1  
2351 Wiener Neudorf, sterreich  
tel.: +43 (0) 2236 892465  
fax: +43 (0) 2236 892464  
vienna@westmedica.com

**[www.microoptix.com](http://www.microoptix.com)**

We reserve the right to change specification without notice.  
This brochure is for marketing purposes only. Any terms of sale/technique shall be set forth in a duly executed contract.

┌  
Distributor

Rev 5.0/09.2021 EN ┐

└

└